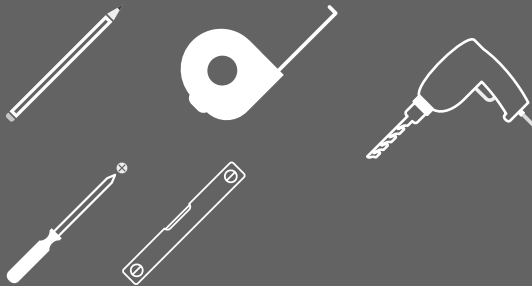


# HOW TO FIT SLIDING GLASS DOORS

## Assembly Instructions

### TOOLS REQUIRED:



⚠ Please check your opening for any hidden electrical wires and water pipes before / screwing.

V1.1

## WARNING ⚠

*When broken, toughened glass shatters into small, blunt-edged fragments which reduce the risk of personal injury.*

*Caution should be used during assembly and installation to ensure that the glass is not impacted by metal objects which can cause this shattering to take place. If in any doubt, we recommend a professional glass installer should be used.*

## HEALTH & SAFETY

- The doors are a minimum 2 person lift
- Do not let the corners and edges of the glass come into contact with floors or walls
- Do not hit the corners of the glass especially when unprotected
- Use all required gaskets and washers
- Do not over tighten hinges and brackets onto the glass.



TWO PERSON LIFT



FRAGILE GLASS



STORE THIS WAY UP



NO IMPACT ON CORNERS

HOME DECOR WILL NOT ACCEPT ANY RESPONSIBILITY FOR INJURY OR DAMAGE CAUSED BY INCORRECT INSTALLATION AND USE OF THIS PRODUCT. PLEASE READ THE INSTRUCTIONS CAREFULLY AND ENSURE THEY ARE FULLY UNDERSTOOD BEFORE HANDLING THIS PRODUCT.

### PARTS INCLUDED:



Wall Plugs for wall & guide



Screws for wall ST4.8x50



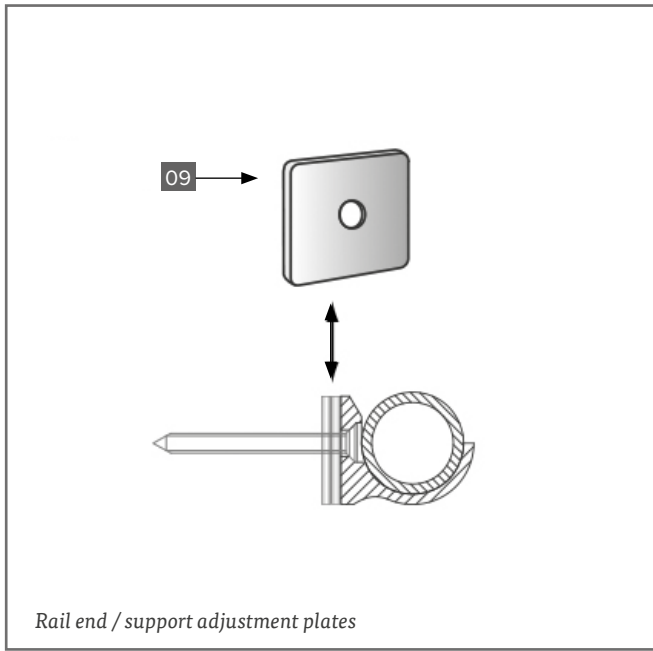
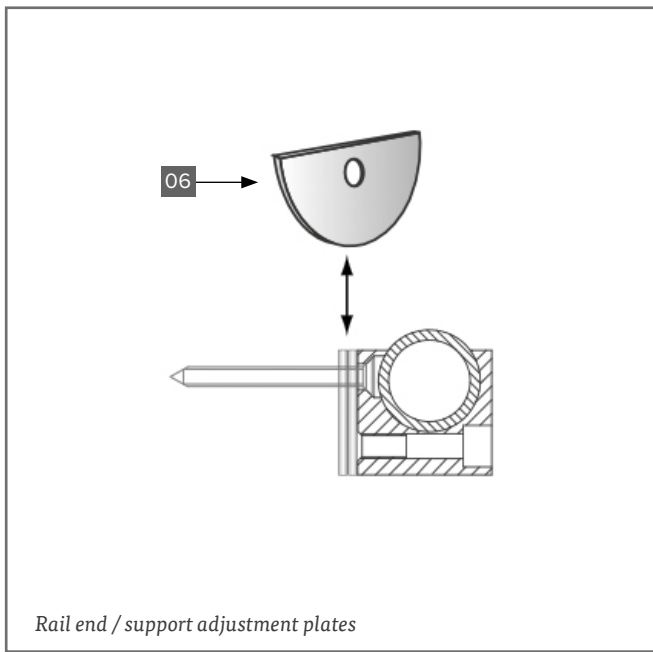
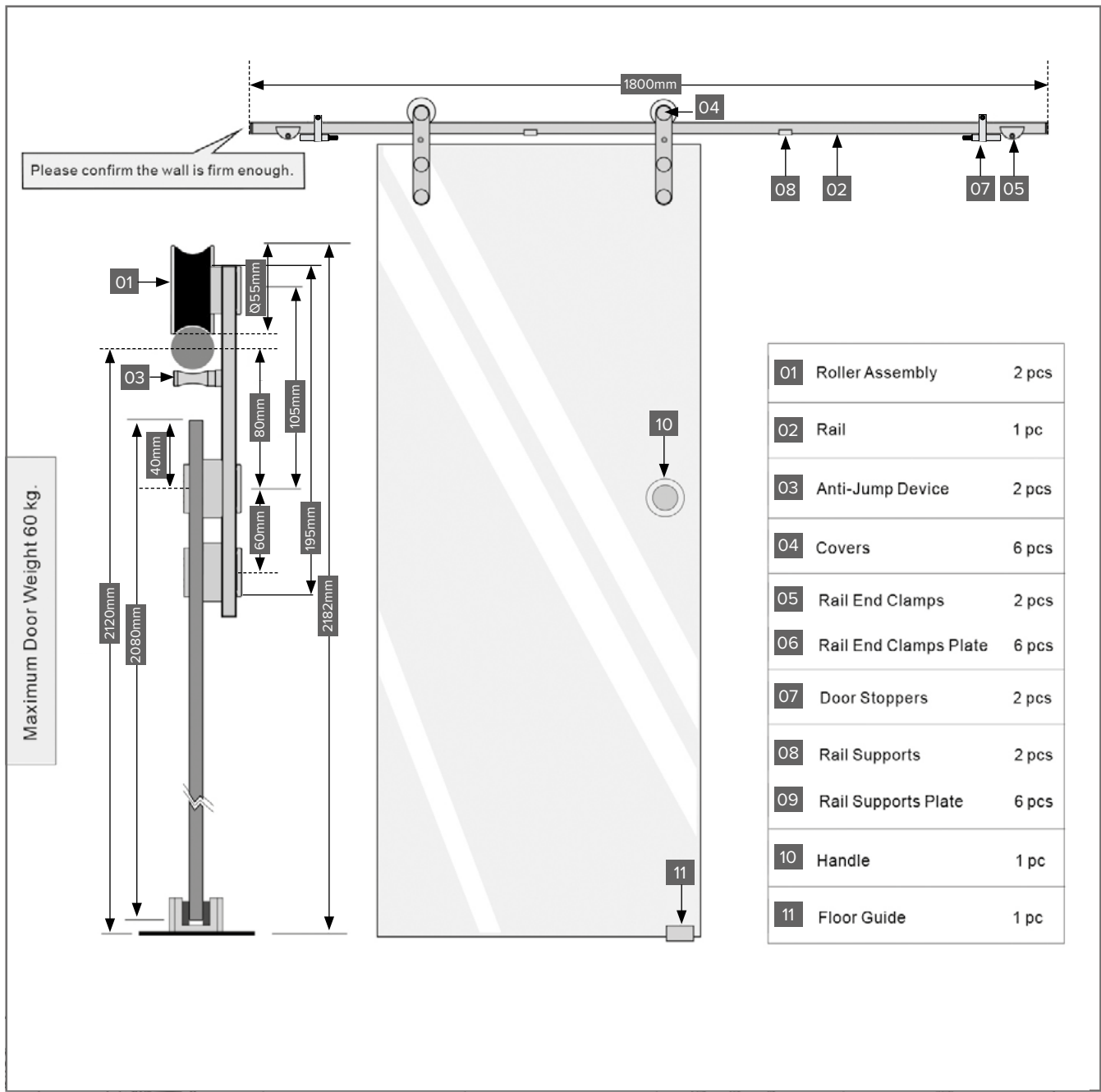
Screws for floor guide ST4 8x35



Allen Keys 3, 5 & 8mm



Adjustable Pin Wrench

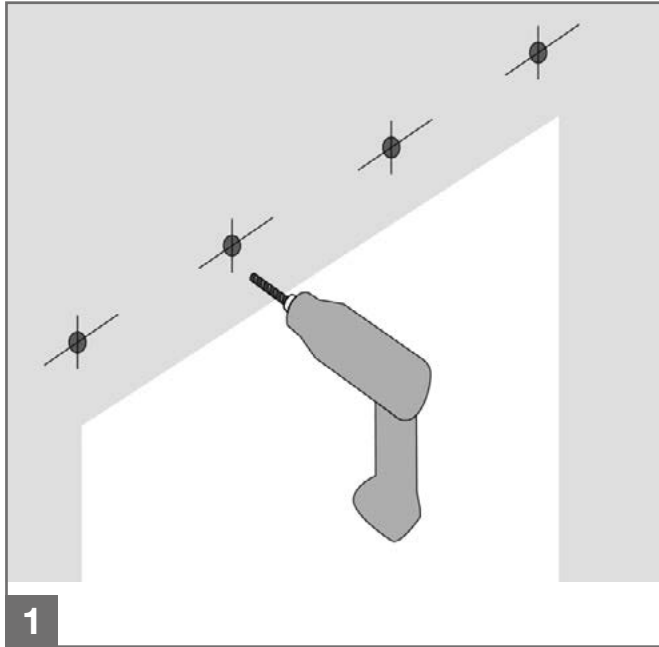


# WARNING

When measuring and positioning the fixings, to ensure there is no contact between the glass and floor, make sure the clearance is equal along the entire length of the track. Inline with the diagram on page 1.

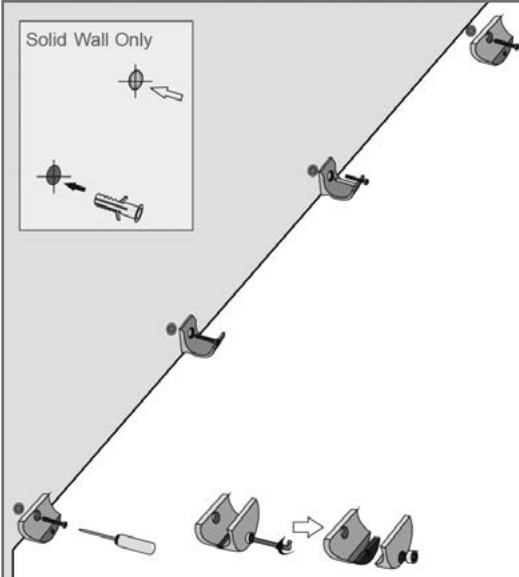
## Important!

This system should be attached to a solid wall using appropriate fixings or A suitably reinforced stud wall.

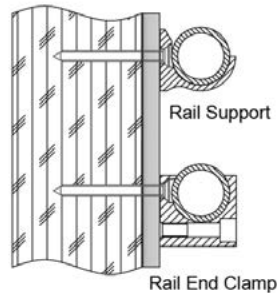


Mark the height required for the wall fixings (see page 1). The centre of rail clamp hole should be 7.5cm from the required rail end, with each subsequent hole being 55cm from the centre of the last. For solid wall, holes should be 8mm diameter and 50mm deep.

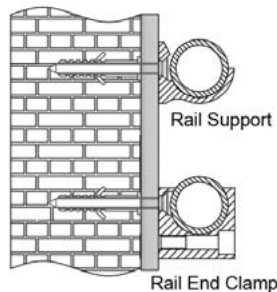
For stud wall, holes should be 3.5mm diameter and 50mm deep. It is very important that these holes are exactly level.



Stud Wall



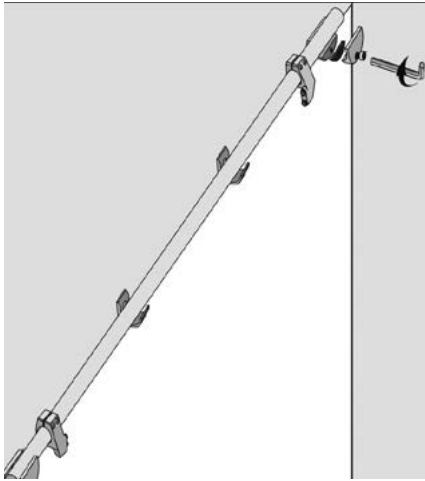
Solid Wall



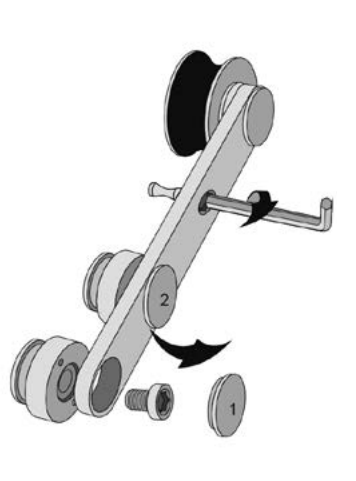
Solid walls only – Insert wall plugs into holes. Attach the rail end clamps using the screws supplied. Note - You will need to separate the two halves of the end clamp prior to positioning onto the wall.

If walls are unlevel, the appropriate metal plates for both rail support and rail end clamp can be used to pack out the fixing and keep the rail perfectly straight and level.

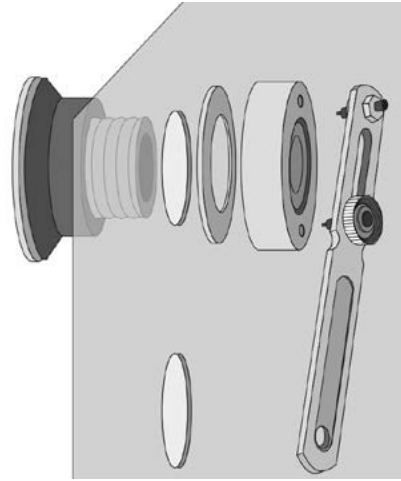
1



2



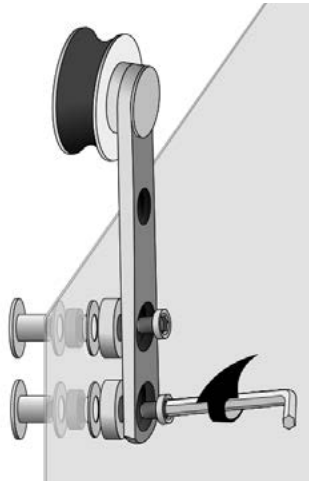
3



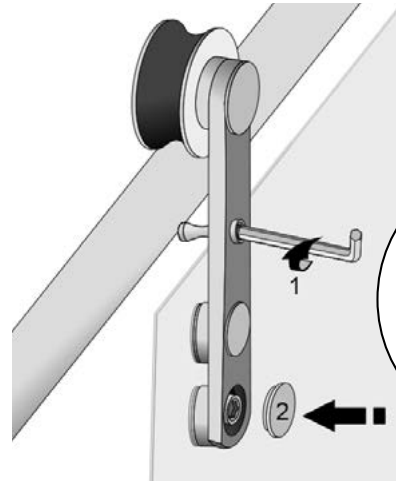
1. Prior to positioning the rail, slide a door stopper onto each end of the rail, but do not tighten the screws (until you are satisfied with the location/angle of each once the door is hung. The stopper should come into contact with the roller carriage, not the glass). Screw the cover part of the rail clamp back onto the wall unit securely and check the rail is level and solid.
2. Remove the anti-jump device using the 8mm Allen key supplied and unscrew the caps of the lower two assemblies, releasing the 8mm Allen screws.
3. Unscrew the assemblies as shown, using the adjustable pin wrench supplied. Install onto the glass, ensuring the correct assembly sequence. Take care to ensure you do not over-tighten the fitting and damage the glass.

3

1



2

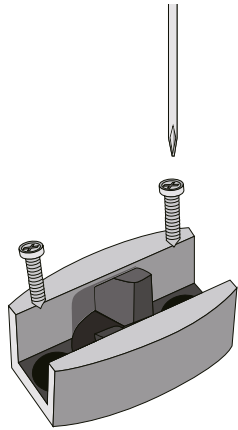


1. Attach the main body of the assemblies and fix firmly into position using the screws and Allen key supplied. Note that there is an amount of adjustment available so ensure the glass is not stressed.
2. Hang the glass on the rail - 2 person recommended.

Install the anti-jump device with the 8mm Allen key supplied and fix firmly. Screw the bottom covers back on.

(Take care not to knock the corners of the door when lifting. It is always advisable to put some cardboard / carpet beneath the work area).

4



Fix the door guide to the floor, approx 19mm from the walls to the centre of the fixing holes assuming a flush wall.

**5**

Allowances will have to be made for any architrave/skirting if fitted. The guide should be positioned just before the wall opening in the approximate centre of the door movement.

Set to 8mm

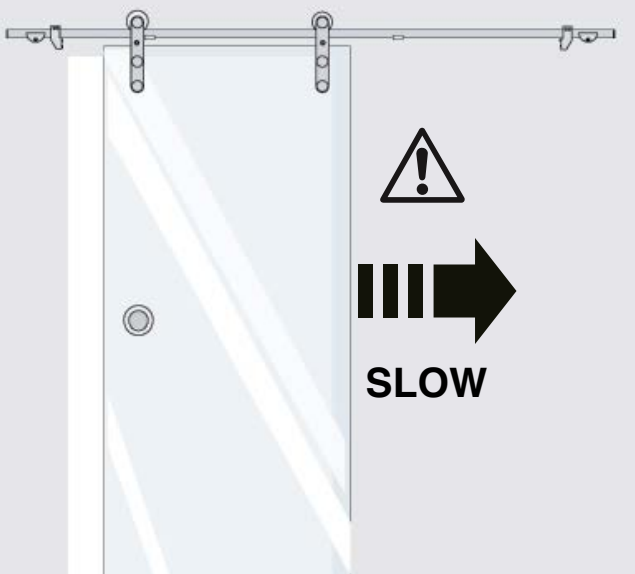
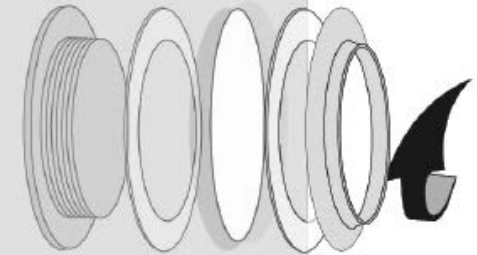


**6**

Ensure the floor guide is set correctly for 8mm glass. If it needs adjustment, push the plastic part partially out of the metal and turn until the 8mm position is achieved. Push back into metal part.

**7**

Install the handle.



**8**

On the first movement of the door, run it slowly to ensure there is no contact between the glass, fixings, wall and floors.

PLEASE NOTE YOU ARE RESPONSIBLE FOR THE CORRECT INSTALLATION OF THIS UNIT SO PLEASE ENSURE YOU PAY PARTICULAR ATTENTION TO THESE INSTRUCTIONS AND THOSE THAT ARE SUPPLIED WITH THE GLASS DOOR.



