

Panelux High Level Shelf Kit

INSTALLATION GUIDE

This information sheet provides details of how to construct and install a blanket shelf.

Please take time to read it through fully prior to the installation of your sliding wardrobe doors.

This pack contains:

- **1 x blanket shelf**
(l)2800mm x (w)500mm x (d)18mm
- **1 x back shelf bearer**
(l)2800mm x (w)87mm x (d)18mm
- **4 x side shelf bearers**
(l)430 x (w)87mm x (d)18mm
- **Fixings** - 18 x wallplugs; 18 x 40mm screws; 10 x 25mm screws; self-adhesive screw head cover caps

Note: With this kit, the maximum length that the blanket shelf can be using two side bearers and one back bearer is **1600mm**. If a longer shelf is required it must be additionally supported either by using a vertical support panel and the two other side bearers or in conjunction with one of the offset shelf stack and hanging rail kits (Pack G or Pack H) - sold separately.

1. Measuring and cutting to size

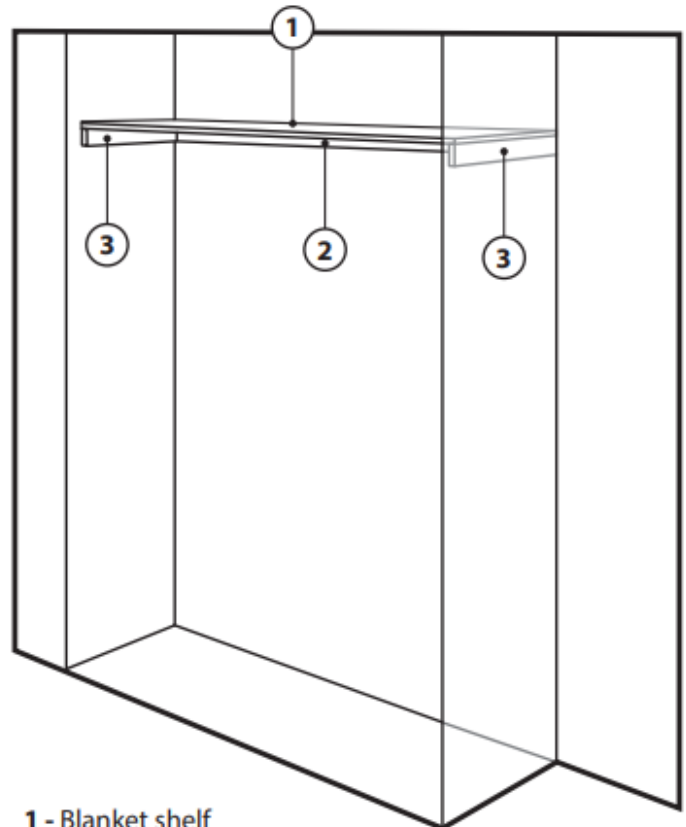
Measure the width of the space you require the blanket shelf to span. If this is less than the length of the shelf supplied, cut the shelf and the back shelf bearer down to the length required.

TIP When cutting the blanket shelf and back shelf bearer down to size use masking tape along the cut lines to prevent the laminate surface from chipping. Before cutting, score with a sharp knife along the line you are going to cut. Carefully remove the tape after you have finished cutting.

2. Fixing the shelf bearers

Using a spirit level, draw a pencil line on the back and side walls to indicate the height at which you wish the **underside** of the shelf to be.

On the back shelf bearer and each of the two side shelf bearers, mark the position for drilling pilot holes for fixing the bearers to the back and side walls of the



- 1 - Blanket shelf
- 2 - Back shelf bearer
- 3 - Side shelf bearers

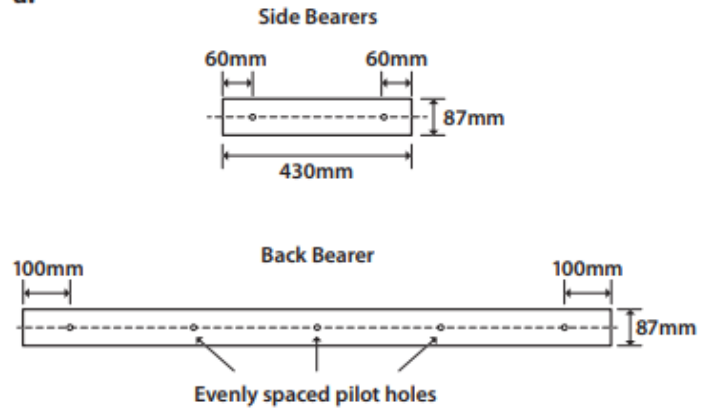
Tools required (not supplied)

- Electric drill, 2mm diam. wood drill bit and 6mm diam. masonry drill bit
- Crosshead screwdriver
- Handsaw (with appropriate blade for cutting MFC)
- Hacksaw (32tpi blade recommended)
- Spirit level
- Bradawl
- Tape measure
- Pencil

wardrobe – see **diagram a**. We advise that the holes are countersunk so once the bearers are in place the 14mm diameter self-adhesive cover caps will fit neatly over the screw heads to disguise them.

Position the back shelf bearer against the back wall with its top edge level with the pencil line you have already marked. Using a bradawl through the pilot holes, mark the back wall with the positions for drilling the holes for the wallplugs. Remove the bearer and drill the holes in the back wall using a 6mm masonry drill bit. Push the wallplugs firmly into the holes, offer up the shelf back bearer again and secure it in place using the 40mm screws. Repeat this process to fix the two side shelf bearers in place.

a.



Drill pilot holes through the shelf bearers from each end at the distances shown. Depending upon its overall length, evenly space one, two or three additional pilot holes along the length of the back bearer, after it has been cut to the required length.

3. Fitting the blanket shelf

Prior to sliding the shelf into position, we recommend drilling and countersinking 2mm pilot holes through the back and side edges (approximately 9mm in from the outside edge) to enable it to be screwed to the back and side shelf bearers – see **diagram b**.

Slide the shelf into position and ensuring that it is sitting firmly on the back and side shelf bearers, screw the shelf to the bearers using the 25mm screws provided.

b.

