

# Panelux Offset Shelf Stack & Hanging Rail

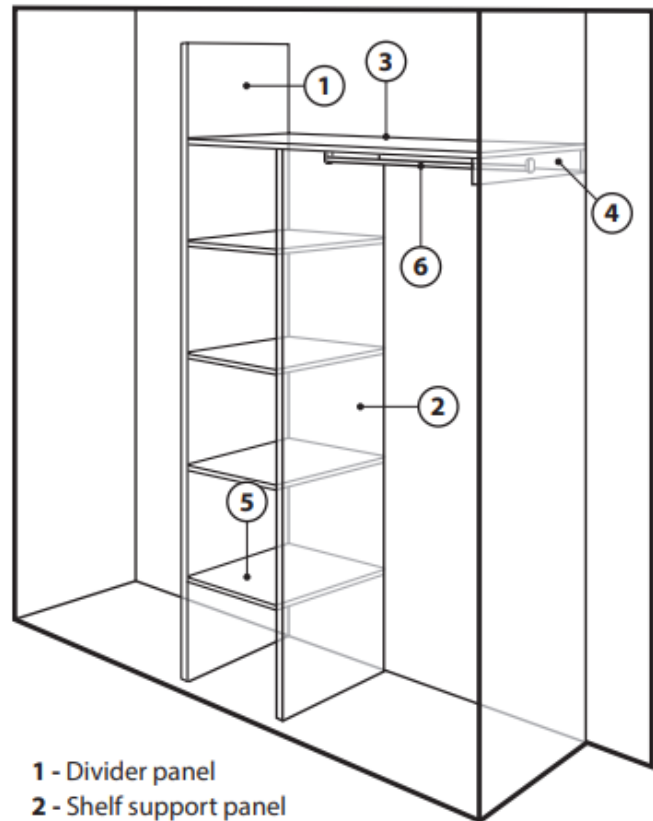
## INSTALLATION GUIDE

This information sheet provides details of how to construct and install an offset shelf stack and one hanging rail. **Please take time to read it through fully prior to the installation of your sliding wardrobe doors.**

This pack contains:

- **1 x divider panel**  
(l)2070mm x (w)450mm x (d)18mm
- **1 x shelf support panel**  
(l)1720mm x (w)450mm x (d)18mm
- **1 x long shelf**  
(l)1600mm x (w)450mm x (d)18mm
- **1 x long shelf side bearer**  
(l)430mm x (w)87mm x (d)18mm
- **1 x long shelf back bearer**  
(l)1200mm x (w)87mm x (d)18mm
- **4 x shelves**  
(l)450mm x (w)364mm x (d)18mm
- **1 x hanging rail & fixing brackets**  
(l)1200mm
- **Fixings** - 18 x 34mm minifix bolts; 18 x minifix housings; 2 x M10 direct drive screws; 9 x 40mm screws; 9 x wall plugs; 5 x 25mm screws; 12 x 15mm screws; 2 x plastic corner blocks; self-adhesive screw head cover caps

**Note:** The kit can be installed with the divider panel on the left (as shown) or it can be flipped so that the divider panel is on the right - however, some of the following instructions will need to be reversed accordingly.



- 1 - Divider panel
- 2 - Shelf support panel
- 3 - Long shelf
- 4 - Long shelf bearers
- 5 - Shelves
- 6 - Hanging rail

### Tools required (not supplied)

- Electric drill, 2mm diam. wood drill bit and 6mm diam. masonry drill bit
- Crosshead screwdriver
- Handsaw (with appropriate blade for cutting MFC)
- Hacksaw (32tpi blade recommended)
- Spirit level
- Bradawl
- Tape measure
- Pencil

## 1. Constructing the shelving unit

You will require the following components and fixings from the pack supplied:

- Divider panel (2070mm length)
- Shelf support panel (1720mm length)
- 4 shelves (400 x 450mm)
- 18 minifix bolts (34mm length)
- 16 minifix housings

Using a crosshead screwdriver, screw 10 of the minifix bolts into the pre-drilled holes on one side of the divider panel and screw the 8 remaining bolts into the pre-drilled holes on the shelf support panel.

**Note:** Screw the minifix bolts into each of the panels up to the point where the smooth shank on the bolt begins – see **diagram a**.

On the underside of each of the four shelves insert four of the minifix housings into the pre-routed (15mm diameter) holes, ensuring that the side with the cross head is facing outwards – see **diagram b**.

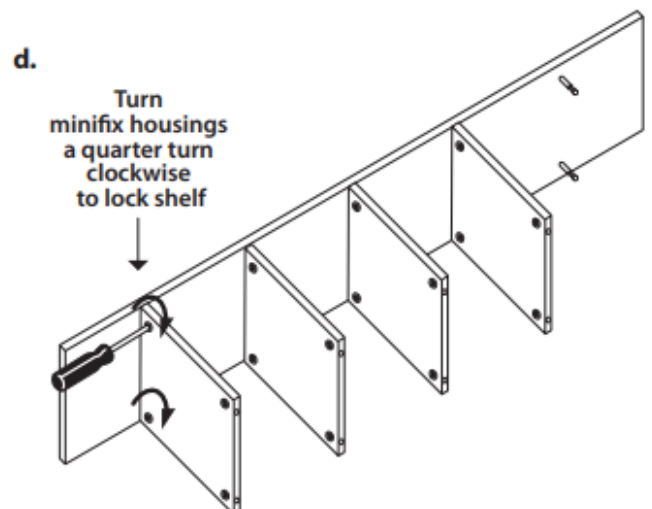
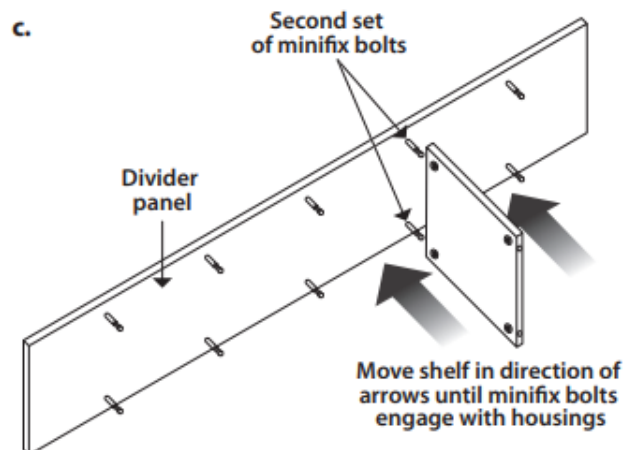
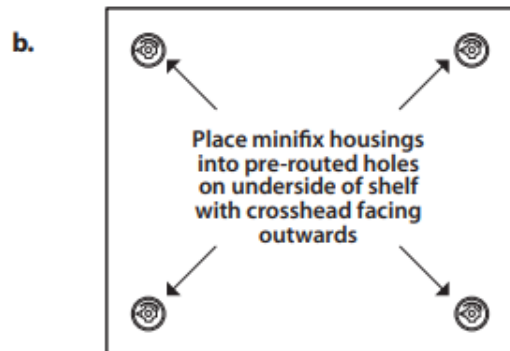
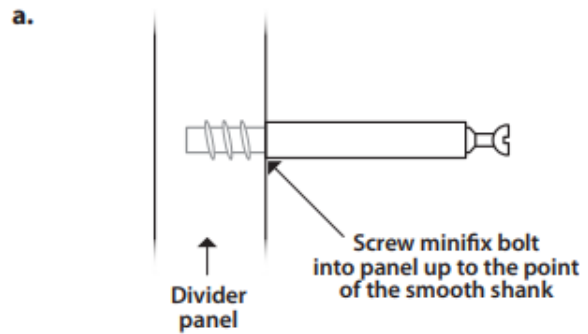
Taking the first of the four shelves, offer it up to the **second set** of minifix bolts protruding from the divider panel and slot them into the pre-dilled holes on the side of the shelf until the shelf edge is in contact with the surface of the divider panel – see **diagram c**. Using a crosshead screwdriver, turn the minifix housings a quarter turn **clockwise** to lock the shelf in position. Repeat this process with the remaining three shelves so that all four shelves are fixed to the divider panel – see **diagram d**.

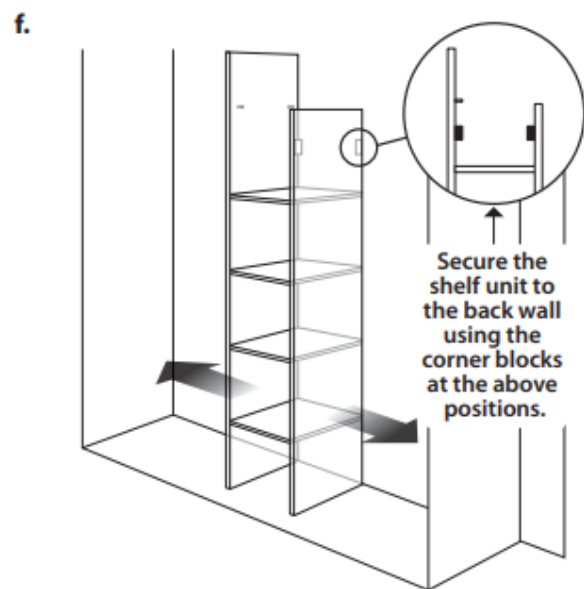
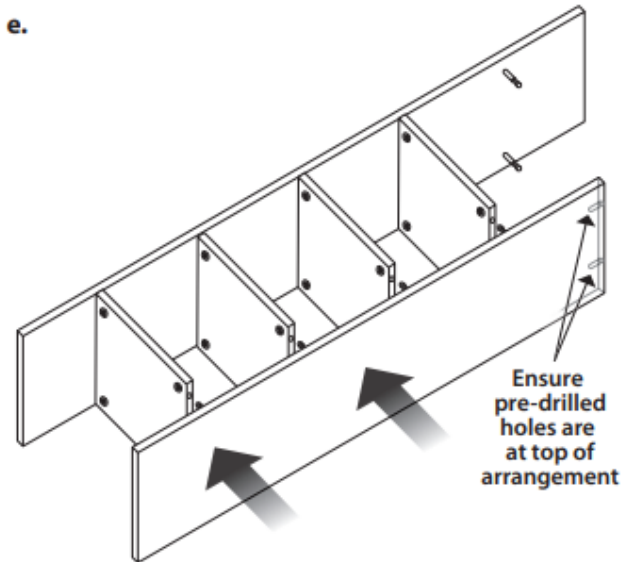
Take the shelf support panel and offer it up so that the minifix bolts protruding from it engage with the minifix housings on the other side of the four shelves and push it firmly against the shelf ends until they are in contact with the surface of the shelf support panel.

Again, using the crosshead screwdriver, turn the minifix housings a quarter turn **clockwise** to lock the shelf support panel to the shelves.

**IMPORTANT:** When offering up the shelf support panel ensure the two pre-drilled holes that are in one end are at the top of the arrangement – see **diagram e**.

Stand the completed shelf unit within the wardrobe space and adjust its position so that the shelves (or drawer units if applicable) will be easily accessible between the wardrobe doors when they are slid to the open position. From the fixings provided use the two plastic corner blocks, four of the wallplugs, four of the 40mm screws and four of the 15mm screws to secure the shelf unit to the back wall at the positions shown in **diagram f**.





## 2. Attaching the shelf bearers

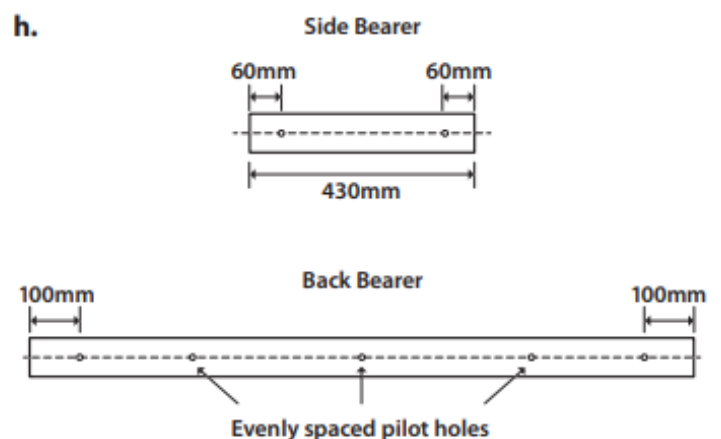
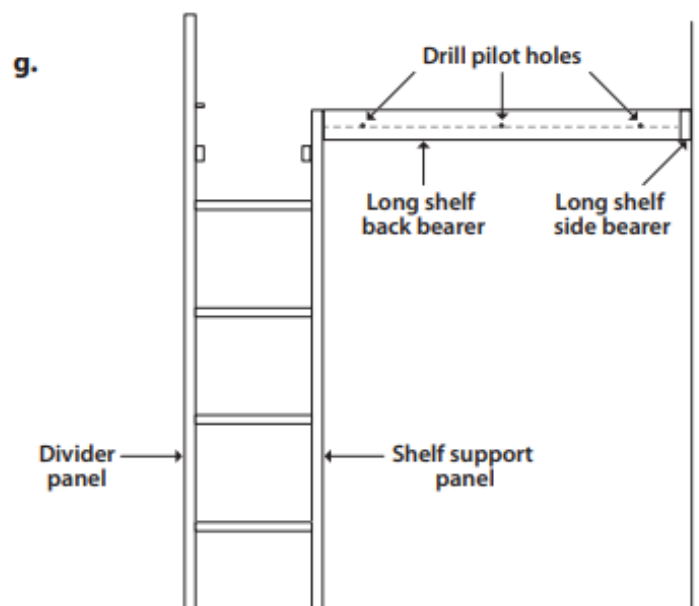
On the back wall, using a spirit level, mark a horizontal line in pencil from the top edge of the shelf support panel to the right hand back corner of the wardrobe space. Measure the distance from the right hand face of the shelf support panel to the right hand inside end of the wardrobe and, if necessary, cut the back bearer for the long shelf down to this size.

**TIP** When cutting the shelf bearer (and the long shelf) to length use masking tape along the cut lines to prevent the laminate surface from chipping. Before cutting, score with a sharp knife along the line you are going to cut. Carefully remove the tape after you have finished cutting.

Then, on the back and the side bearer, mark the position for drilling pilot holes for fixing the bearers to the back and side wall of the wardrobe – see **diagrams g and h**. We advise that the holes are counter sunk so once in place the 14mm diameter self-adhesive cover caps will fit neatly over the screw heads.

Position the back bearer against the back wall with its top edge level with the pencil line you have already marked. Using a bradawl through the pilot holes, mark the back wall with the positions for drilling the holes for the wallplugs. Remove the bearer and drill the holes in the back wall using a 6mm masonry drill bit. Push wallplugs firmly into the holes, offer up the bearer again and secure it in place using the 40mm screws. Repeat this process to fix the side bearer in place.

**Note:** The side shelf bearer is 430mm in length and so when butted up to the back bearer its front edge should finish flush with the front edge of the long shelf



Drill pilot holes through the shelf bearers from each end at the distances shown. Depending upon its overall length, evenly space one, two or three additional pilot holes along the length of the back bearer, after it has been cut to the required length.



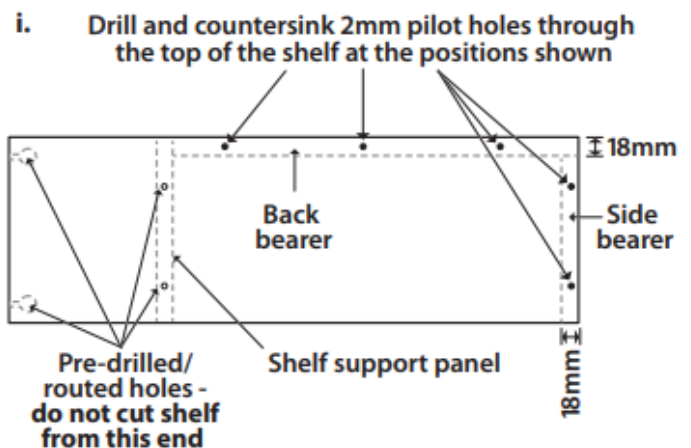
### 3. Fitting the long shelf

Measure the width from the divider panel to the right hand inside end of the wardrobe and, if necessary, cut the long shelf down to this size.

**IMPORTANT** – Cut any excess length from the end of the shelf that **does not have any pre-drilled/routed holes** – see **diagram i**.

Prior to sliding the shelf into position, we recommend drilling and countersinking 2mm pilot holes through the back edge and right end edge of the shelf (approximately 9mm in from the outside edge) to enable it to be screwed to the back and side shelf bearers – see **diagram i**.

Insert the two remaining minifix housings into the pre-routed (15mm diameter) holes on the underside of the long shelf, ensuring that the side with the cross head is facing outwards. Slide the shelf into position, ensuring that the two minifix housings locate with the two minifix bolts protruding from the divider panel and the two pre-drilled holes in the top of the shelf align with the corresponding pre-drilled holes in the top



edge of the shelf support panel underneath. Then, ensuring the shelf is sitting firmly on both back and side shelf bearers, screw the shelf to the bearers using the 25mm screws provided and use the two M10 direct drive screws to secure the shelf to the shelf support panel through the pre-drilled holes. Finally, on the underside of the shelf, using a crosshead screwdriver, turn the minifix housings a quarter turn **anti-clockwise** to lock the shelf to the bolts on the divider panel.

### 4. Fitting the hanging rail

To ensure the hanging rail under the shelf is positioned correctly, use the paper drilling template supplied. See **diagram j** to help you position the drilling template correctly for the right hand end of the hanging rail.

**TIP** You may wish to mark the positions for the pilot holes with a bradawl, remove the template and then drill the holes; rather than drilling the pilot holes directly through the paper template.

Once the pilot holes are drilled in the right end shelf bearer, place the hanging rail bracket in position (ensuring the U-shaped cup is at the bottom) and using the 15mm screws provided screw it in place through the top and bottom holes. Then, locate the pre-drilled holes in the side of the shelf support panel and fix another hanging bracket in place there. Measure the distance between the inside faces of the hanging rail brackets and cut the hanging rail to length. The hanging rail can then be placed in position and should sit securely in the U-shaped cups of the brackets.

j. Drilling template position for hanging rail bracket on right end shelf bearer

